

S62



THE MOST COMPLETE UNIVERSAL SENSOR IN A COMPACT 50X50 MM HOUSING

- Sensors with red, infrared LED or LASER emission
- Background suppression from 3 cm to 2 m
- Polarized retroreflective up to 20 m
- Multivoltage 24-240Vac/24-60Vdc with Relay output
- NPN/PNP output NO-NC configuration

APPLICATIONS

- Processing and Packaging machinery
- Conveyor lines, material handling



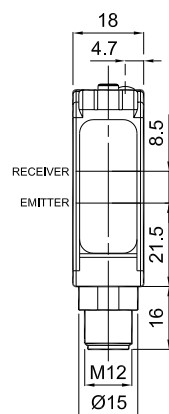
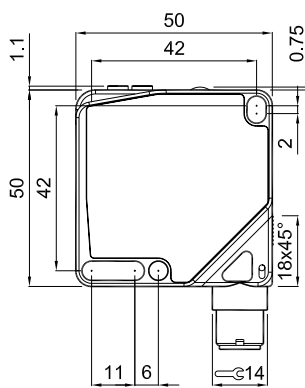
S62	
Through beam	0...25 m
Retroreflective (on R2 reflector)	0,1...13 m
Polarized retroreflective	0,1...8 m
	0,3...20 m (class 2 LASER)
Diffuse proximity	short 0...900 mm, long 0...2000 mm
	0...900 mm (class 2 LASER)
Background suppression	short 30...300 mm
	medium 60...600 mm
	long 60...1200 mm
	very long 200...2000 mm
	short LASER 30...150 mm (class 2 LASER)
	long LASER 50...350 mm (class 2 LASER)
Power supply	Vdc 10...30 V
	Vac 24/240 Vac/24...60 Vdc
Output	PNP •
	NPN •
	NPN/PNP •
	relay •
	other •
Connection	cable •
	connector •
	pig-tail •
Approximate dimensions (mm)	18x50x50
Housing material	ABS
Mechanical protection	IP67

TECHNICAL DATA

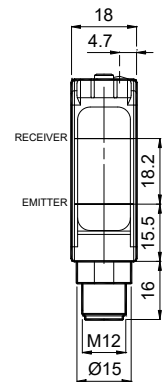
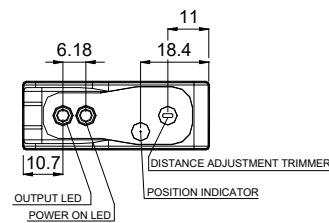
Power supply	10 ... 30 Vdc (mod. S62...2/5) 24...240 Vac/ 24...60 Vdc (mod. S62...1)
Ripple	2 Vpp max. (mod. S62...2/5), 10% max. (mod. S62...1)
Consumption (output current excluded)	30 mA max. (mod. S62...2/5) 3 VA max. (mod. S62...1)
Light emission	red LED 640 nm (mod. S62-PA...A/B/C/G/M01/M05/M11/M15) IR LED 880 nm (mod. S62-PA...M21/M25/M31/M35) red Laser 645...665 nm (mod. S62-PL)
Setting	sensitivity adjustment trimmer
Operating mode	mono-turn LIGHT/DARK trimmer (mod. S62...RX/PN)
Indicators	yellow OUTPUT LED green STABILITY LED, POWER LED (S62...G)
Output	PNP or NPN N.O./N.C. (mod. S62...PP/NN); NPN/PNP (mod. S62...PN); electromechanical SPDT 250 Vac/30 Vdc (mod. S62...RX)
Output current	100 mA max. (mod. S62...2/5), 2 A max. (mod. S62...1)
Saturation voltage	2 V max. (mod. S62...2/5)
Response time	25 ms (mod. S62...1) 1,5 ms (mod. S62...M3x) 1 ms (mod. S62...2/5-F/G/M2x) 500 µs (mod. S62-PA...2/5-A/B/C/M0x/M1x) 200 µs (mod. S62-PL...B/C/M11) 140 µs (mod. S62-PL...M01)
Switching frequency	20 Hz (mod. S62...1) 330 Hz (mod. S62...M3x) 500 Hz (mod. S62...2/5-F/G/M2x) 1 kHz (mod. S62-PA...2/5-A/B/C/M0x/M1x) 2,5 kHz (mod. S62-PL...B/C/M11) 3,5 kHz (mod. S62-PL...M01)
Connection	M12 4-pole connector, 2 m Ø 4 mm cable vers., 2 m Ø 5 mm cable vers.
Dielectric strength	500 Vac 1 min., between electronics and housing
Insulation resistance	>20 MΩ 500 Vdc, between electronics and housing
Mechanical protection	IP67
Ambient light rejection	According to EN 60947-5-2
Vibrations	0.5 mm amplitude, 10 ... 55 Hz frequency, for each axis (EN60068-2-6)
Shock resistance	11 ms (30G) 6 shock for every axis (EN60068-2-27)
Housing material	ABS
Lens material	PMMA window, polycarbonate lens
Operating temperature	-10 ... 55 °C
Storage temperature	-20 ... 70 °C
Weight	40 g max. conn. vers., 90 max. cable vers.

DIMENSIONS

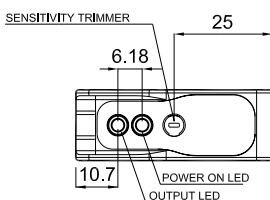
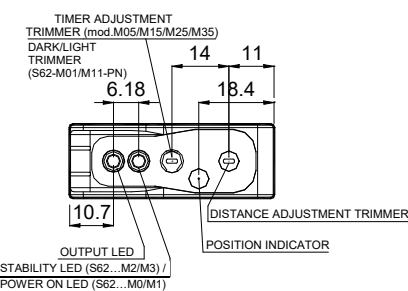
Background suppression



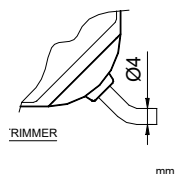
Laser version



Led version



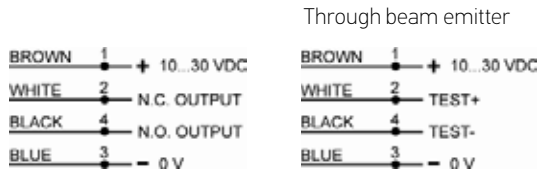
Cable version



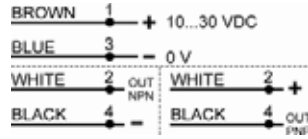
mm

CONNECTIONS

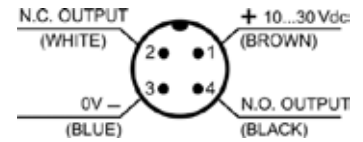
VDC MODELS



NPN/PNP version



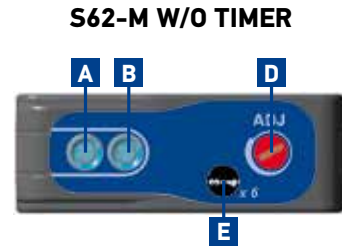
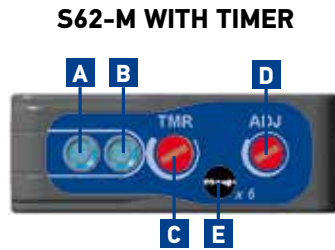
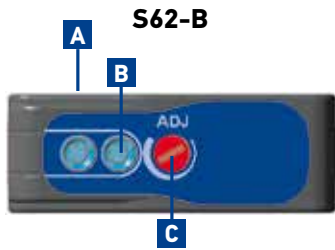
M12 CONNECTOR



VAC MODELS



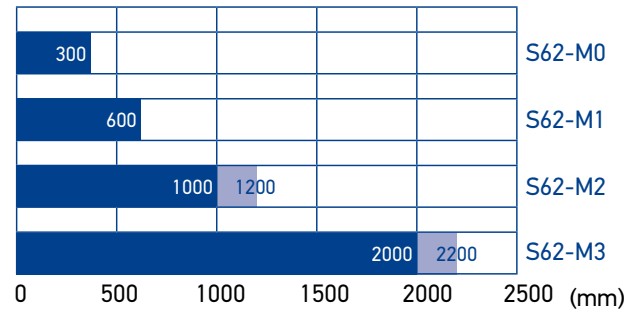
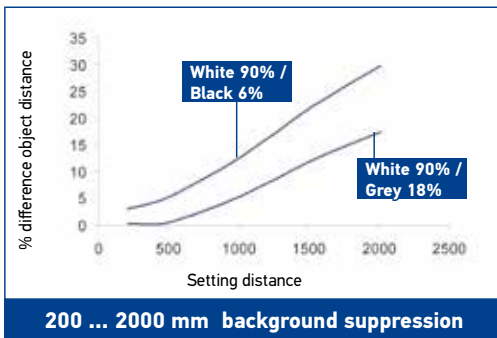
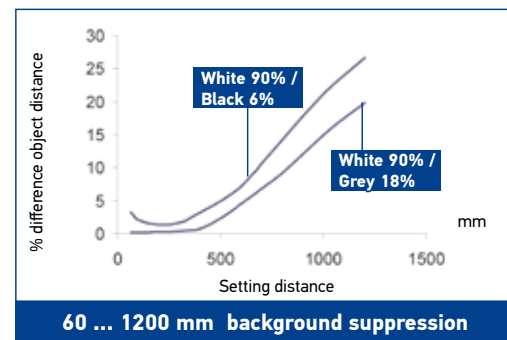
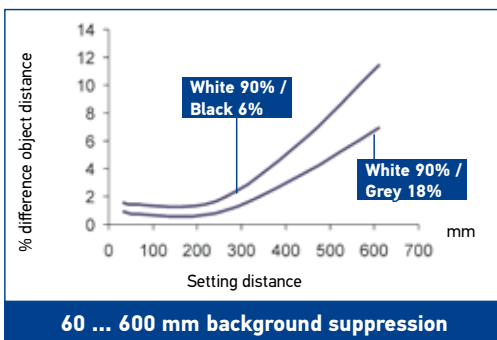
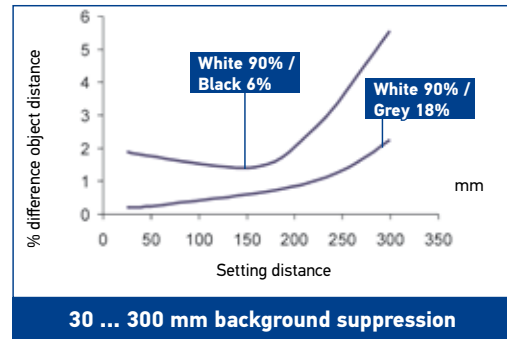
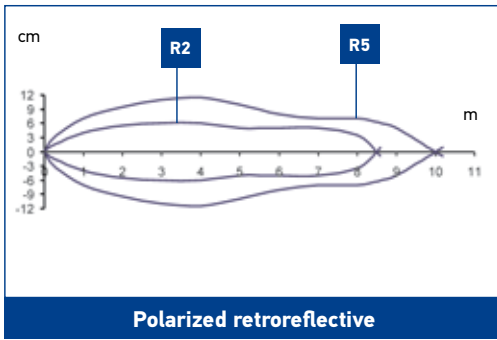
INDICATORS AND SETTINGS



- A** Output status LED
- B** Stability LED or Power ON LED (laser vers.)
- C** Timer adjustment trimmer

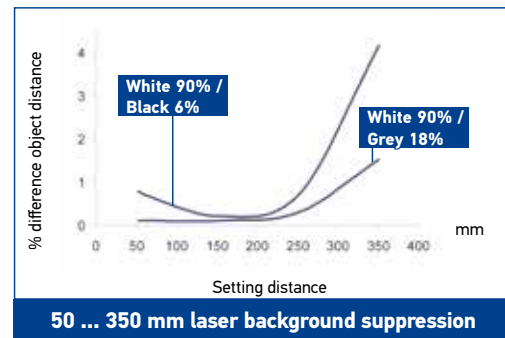
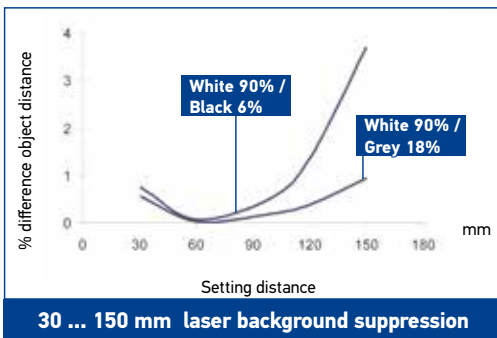
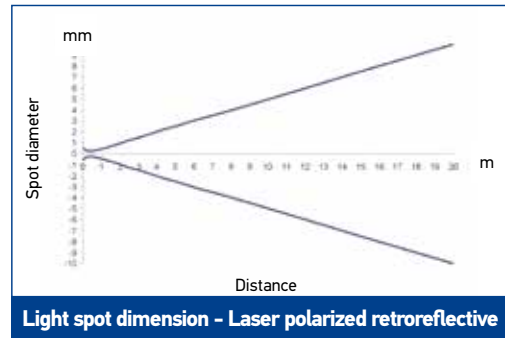
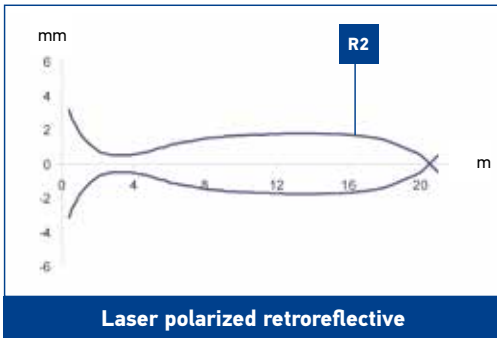
- D** Distance adjustment trimmer
- E** Geared numeric scale
- F** M12 connector output
- G** Cable output

DETECTION DIAGRAMS OF MODELS WITH LED EMISSION



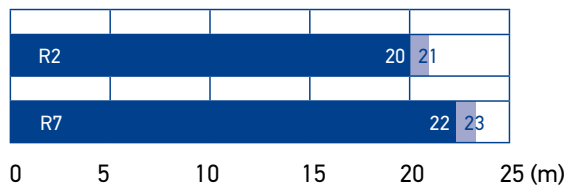
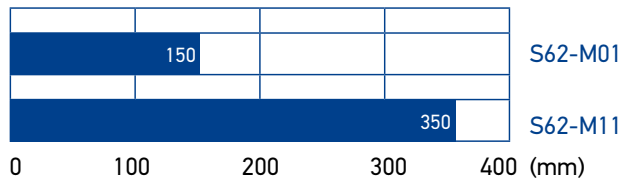
Recommended operating distance
 Maximum operating distance

DETECTION DIAGRAMS OF MODELS WITH LASER EMISSION



Reflector operating distances (m)				
R1	R2	R6	R7 / R20	R8
0.3 ... 16	0.3 ... 20	0.4 ... 22	0.3 ... 22	0.2 ... 2

The use of the RT3970 reflecting tape is suggested.

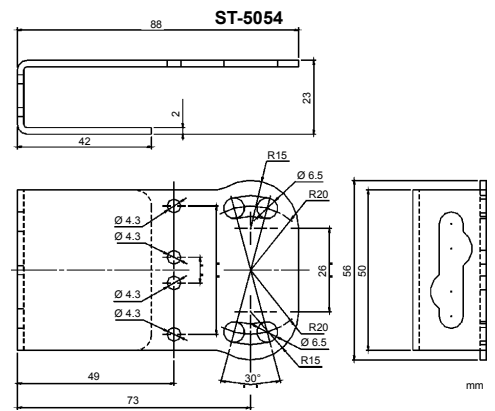
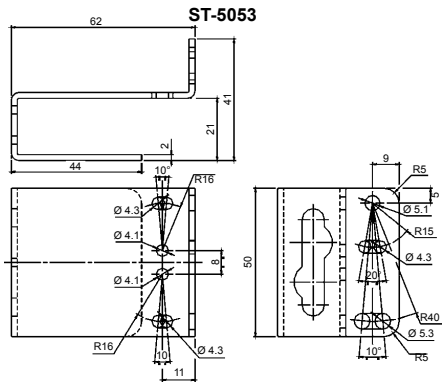
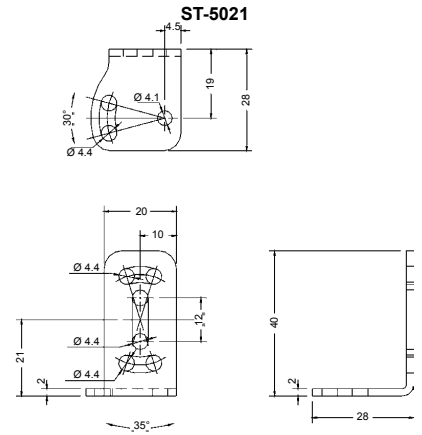
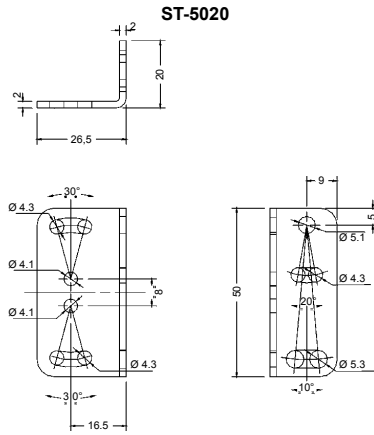
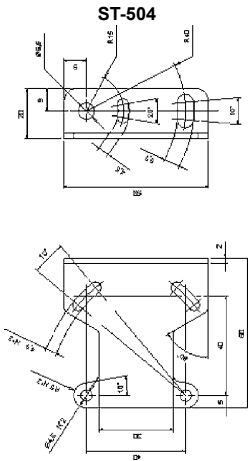


- Recommended operating distance
- Maximum operating distance

MODEL SELECTION AND ORDER INFORMATION

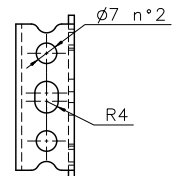
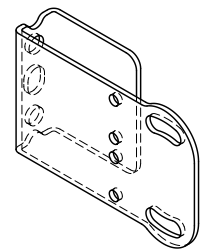
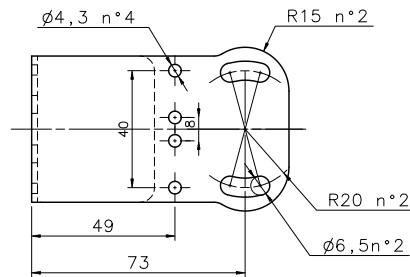
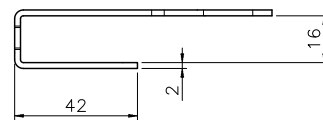
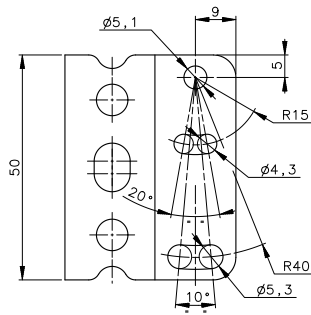
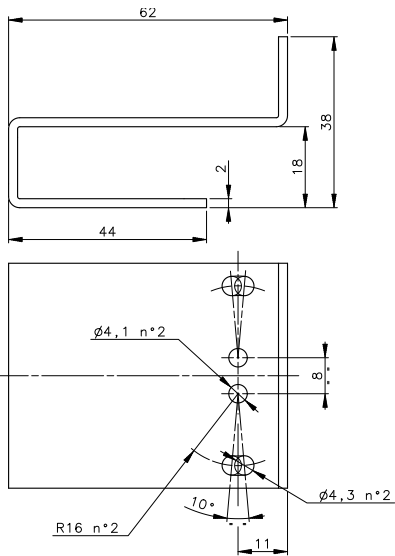
OPTIC FUNCTION	EMISSION	CONNECTION	SETTING	OUTPUT	MODEL	ORDER No.	
Retroreflective	LED (red 640nm)	2m Cable	sensitivity trimmer (mono turn)	PNP/NPN	S62-PA-2-A01-PN	956211240	
		M12 Connector		PNP/NPN	S62-PA-5-A01-PN	956211310	
		Vac relay	mono-turn light/dark trimmer	Relay	S62-PA-1-A01-RX	956211180	
Polarized retroreflective	LED (red 640nm)	2m Cable	sensitivity trimmer (mono-turn)	PNP/NPN	S62-PA-2-B01-PN	956211250	
		M12 Connector		PNP	S62-PA-2-B01-PP	956211010	
				NPN	S62-PA-5-B01-NN	956211020	
				PNP/NPN	S62-PA-5-B01-PN	956211320	
	Vac relay	mono-turn light/dark trimmer	PNP	S62-PA-5-B01-PP	956211000		
	LASER	M12 Connector	mono-turn light/dark trimmer	Relay	S62-PA-1-B01-RX	956211190	
				NPN	S62-PL-5-B01-NN	956211100	
			PNP	S62-PL-5-B01-PP	956211110		
Short diffused proximity	LED (red 640nm)	2m Cable	sensitivity trimmer (mono-turn)	NPN	S62-PA-2-C01-NN	956211420	
				PNP/NPN	S62-PA-2-C01-PN	956211260	
		M12 Connector		PNP	S62-PA-2-C01-PP	956211380	
				NPN	S62-PA-5-C01-NN	956211500	
				PNP/NPN	S62-PA-5-C01-PN	956211330	
	Vac relay	mono-turn light/dark trimmer	PNP	S62-PA-5-C01-PP	956211460		
	LASER	M12 Connector	mono-turn light/dark trimmer	Relay	S62-PA-1-C01-RX	956211200	
				NPN	S62-PL-2-C01-NN	956211440	
				PNP	S62-PL-2-C01-PP	956211400	
				NPN	S62-PL-5-C01-NN	956211520	
PNP				S62-PL-5-C01-PP	956211480		
Long diffused proximity	LED (red 640nm)	2m Cable	sensitivity trimmer (mono turn)	NPN	S62-PA-2-C11-NN	956211430	
				PNP/NPN	S62-PA-2-C11-PN	956211270	
		M12 Connector		PNP	S62-PA-2-C11-PP	956211390	
				NPN	S62-PA-5-C11-NN	956211510	
				PNP/NPN	S62-PA-5-C11-PN	956211340	
	Vac relay	mono-turn light/dark trimmer	PNP	S62-PA-5-C11-PP	956211470		
	Through beam receiver	-	2m Cable	sensitivity trimmer (mono turn)	Relay	S62-PA-1-C11-RX	956211210
					NPN	S62-PA-2-F01-NN	956211450
					PNP/NPN	S62-PA-2-F01-PN	956211290
			M12 Connector		PNP	S62-PA-2-F01-PP	956211410
NPN					S62-PA-5-F01-NN	956211530	
PNP/NPN					S62-PA-5-F01-PN	956211360	
Vac relay	mono-turn light/dark trimmer	PNP	S62-PA-5-F01-PP	956211490			
Through beam emitter	LED (red 640nm)	2m Cable	sensitivity trimmer (mono turn)	Relay	S62-PA-1-F01-RX	956211220	
		M12 Connector		-	S62-PA-2-G00-XG	956211300	
		Vac relay		-	S62-PA-5-G00-XG	956211370	
Background suppression (short distance)	LED (red 640nm)	2m Cable	6 turns distance adjustment trimmer	-	S62-PA-1-G00-XX	956211230	
				M12 Connector	PNP/NPN	S62-PA-2-M01-PN	956211280
		M12 Connector		PNP	S62-PA-2-M01-PP	956201841	
				NPN	S62-PA-5-M01-NN	956201811	
	LASER	M12 Connector		4 turns distance adjustment trimmer	PNP/NPN	S62-PA-5-M01-PN	956211350
					PNP	S62-PA-5-M01-PP	956201831
					NPN	S62-PA-5-M05-NN	956201801
					PNP	S62-PA-5-M05-PP	956201821
Background suppression (medium distance)	LED (red 640nm)	2m Cable	6 turns distance adjustment trimmer	NPN	S62-PL-5-M01-PN	956211120	
				PNP	S62-PL-5-M01-PP	956211130	
		M12 Connector		NPN	S62-PA-2-M11-NN	956201891	
				PNP	S62-PA-5-M11-PP	956201861	
	LASER	M12 Connector		6 turns distance adjustment trimmer	NPN	S62-PA-5-M11-NN	956201861
					PNP	S62-PA-5-M11-PP	956201881
					NPN	S62-PA-5-M15-NN	956201851
					PNP	S62-PA-5-M15-PP	956201871
Background suppression (long distance)	LED (red 640nm)	2m Cable	6 turns distance adjustment trimmer	NPN	S62-PL-5-M11-NN	956211140	
				PNP	S62-PL-5-M11-PP	956211150	
		M12 Connector		PNP	S62-PA-2-M21-PP	956201940	
	NPN			S62-PA-5-M21-NN	956201910		
	PNP			S62-PA-5-M21-PN	956201900		
	Background suppression (very long distance)	LED (infrared 880nm)		2m Cable	6 turns distance adjustment trimmer	NPN	S62-PA-5-M25-NN
PNP			S62-PA-5-M25-PP			956201920	
M12 Connector			PNP			S62-PA-2-M31-PP	956211050
			NPN	S62-PA-5-M31-NN		956211060	
			PNP	S62-PA-5-M31-PN		956211070	
						NPN	S62-PA-5-M35-NN
			PNP	S62-PA-5-M35-PP	956211090		

ACCESSORIES



ST-5018

ST-5019



MODEL	DESCRIPTION	ORDER No.
ST-5018	protective bracket	95ACC5310
ST-5019	protective bracket	95ACC5320
ST-5020	mounting bracket	95ACC5330
ST-5021	mounting bracket	95ACC5340
ST-504	mounting bracket	95ACC2820
ST-5053	protective bracket	95ACC2410
ST-5054	protective bracket	95ACC2420
JOINT-S62	protective bracket with jointed support	95ACC2430

CABLES

TYPE	DESCRIPTION	LENGTH	MODEL	ORDER No.
Axial M12 Connector	4-pole, grey, P.V.C.	3 m	CS-A1-02-G-03	95A251380
		5 m	CS-A1-02-G-05	95A251270
		7 m	CS-A1-02-G-07	95A251280
		10 m	CS-A1-02-G-10	95A251390
	4-pole, P.U.R.	2 m	CS-A1-02-R-02	95A251540
		5 m	CS-A1-02-R-05	95A251560
Radial M12 Connector	4-pole, grey, P.V.C.	3 m	CS-A2-02-G-03	95A251360
		5 m	CS-A2-02-G-05	95A251240
		7 m	CS-A2-02-G-07	95A251245
		10 m	CS-A2-02-G-10	95A251260
	4-pole, P.U.R.	2 m	CS-A2-02-R-02	95A251550
		5 m	CS-A2-02-R-05	95A251570
Radial M12 Connector with LED (for PNP N.O. sensors)	4-pole, grey, P.V.C.	3 m	CS-A2-12-G-03	95A251400
		5 m	CS-A2-12-G-05	95A251350
		10 m	CS-A2-12-G-10	95A251370
Axial M12 Connector	4-pole, shielded, black, P.V.C.	3 m	CV-A1-22-B-03	95ACC1480
		5 m	CV-A1-22-B-05	95ACC1490
		10 m	CV-A1-22-B-10	95ACC1500
		15 m	CV-A1-22-B-15	95ACC2070
		25 m	CV-A1-22-B-25	95ACC2090
Radial M12 Connector		3 m	CV-A2-22-B-03	95ACC1540
		5 m	CV-A2-22-B-05	95ACC1550
		10 m	CV-A2-22-B-10	95ACC1560
Axial M12 Connector	4-pole, U.L., black, P.V.C.	3 m	CS-A1-02-U-03	95ASE1120
		5 m	CS-A1-02-U-05	95ASE1130
		10 m	CS-A1-02-U-10	95ASE1140
		15 m	CS-A1-02-U-15	95ASE1150
		25 m	CS-A1-02-U-25	95ASE1160
Radial M12 Connector	4-pole, black	Connector- not cabled	CS-A1-02-B-NC	G5085002
		Connector- not cabled	CS-A2-02-B-NC	G5085003

DATALOGIC PRODUCT OFFERING



Sensors



Hand Held scanners



Mobile Computers



Laser Marking Systems



Safety Laser Scanner



Vision Systems



Stationary Industrial Scanners



Safety Light Curtains

Rev. 01,07/2016

The company endeavours to continuously improve and renew its products; for this reason the technical data and contents of this catalogue may undergo variations without prior notice. For correct installation and use, the company can guarantee only the data indicated in the instruction manual supplied with the products. Product and Company names and logos referenced may be either trademarks or registered trademarks of their respective companies. We reserve the right to make modifications and improvements.